

DESIGNED FOR FASTER, SAFER HIGH LOAD SEISMIC TOWING



DYNA-HANGER II™ Suspension System

No Tools, No Kidding.

The DHSS II™ offers multiple-degrees of freedom which allows spreader rope loads to pass through with minimal effect on the lead-in cable.

The tool-free design allows for ease of installation— faster cable deployments and retrievals. Installation can be performed anywhere along the cable for unlimited attachment possibilities in a few simple steps.

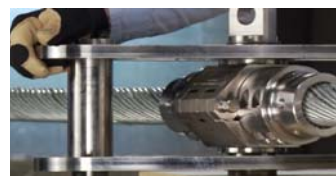
- Wrap the helical rods on the lead-in
- Install housing and collar assembly; secure with quick release pins
- Mount suspension arms and sheaves
- Installation complete!

Several configurable kits and accessories are available.

- Sheave Kit
- Rotating Sheave Mount Kit
- Sheave Pin Kit with Weak Link (break away feature at specified load)
- Pad Eye for float attachment and back-up rope
- Floatation DYNA II™
- PMI DYNA-BSR™ Bending Strain Relief

Re-usable Hardware offers significant cost-savings.

The DHSS II™ Retermination Kit contains new helical rods and inserts while allowing you to re-use the outer hardware. Storage on the cable drum is possible by removing the outer hardware while leaving the housing or the helical rods intact.



PMI's new
DHSS II™ is
installable in
a few simple
steps.

Apply Helical Rods
on cable

Install Split Housing
and Collar

Add Suspension
Arms

Secure in place

Technical Data & Specifications

All Models

Material	High Grade Stainless Steel
Working Load	Designed to handle loads of to 40 tonnes
Lead-in Cable Size	Accommodate industry standard lead-in diameters

DHSS II™

Approx. Weight (w/o rods)	49 kg (108 lbs)
Overall Dimensions (L x W x H)	55.9 cm x 15.2 cm x 30.5cm (22" x 6" x 12")

DHSS II™ w/ Sheaves

Approx. Weight (w/o rods)	59 kg (130 lbs)
Designed for Spur Line or Spreader Ropes	≤ 52mm
Overall Dimensions (L x W x H)	55.9 cm x 15.2 cm x 30.5cm (22" x 6" x 12")

DHSS II™ w/ Rotating Arms & Sheaves

Approx. Weight (w/o rods)	82 kg (180lbs)
Designed for Spur Line or Spreader Ropes	≤ 52mm
Overall Dimensions (L x W x H)	86.4 cm x 15.2 cm x 30.5cm (34" x 6" x 12")

Specifications and data are approximate and subject to change.

DHSS II™ Configuration Options & Accessories

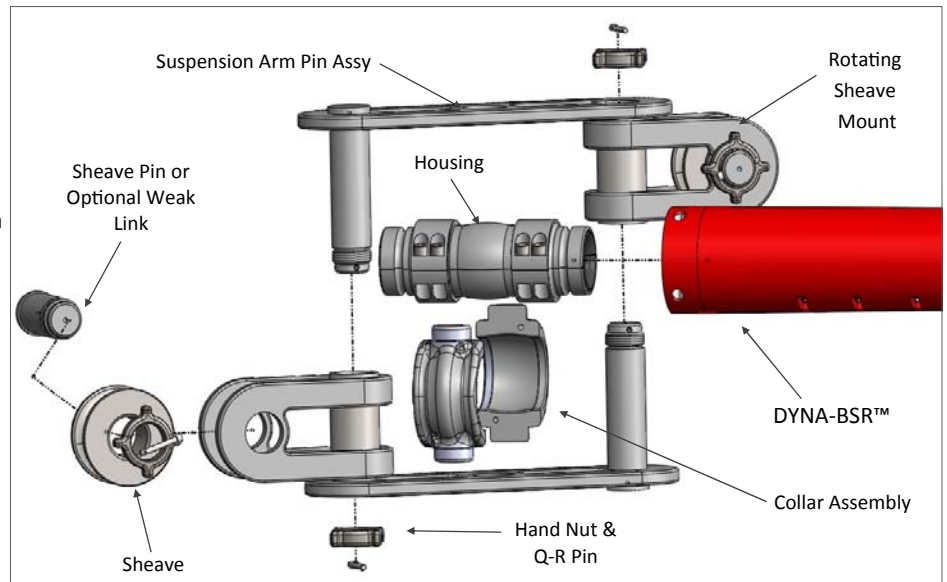
Sheaves— Available for spur lines or spreader ropes up to 52mm.

Rotating Sheave Mount— Adds an extra degree of freedom; allows spreader ropes to self-align for reliability during high cyclic loads.

Weak Link Designed to release at a specified load i.e. 30t, 35t, 40t to protect your equipment from accidental overloads used with Rotating Sheave Arms.

DYNA-BSR™ Split Bending Strain Relief— Installs mid-span; slides together

Many configurations and options are available for the DYNA-HANGER II™, contact PMI to discuss your requirements and determine the correct product.



Typical configuration of the DHSS II™ shown above

For clarity the cable and DYNA-HANGER™ Rods are not shown.