

# BALL-JOINT™ TOW POINT ADAPTOR

Provides Articulation at the Cable Termination

## PRODUCT DESCRIPTION

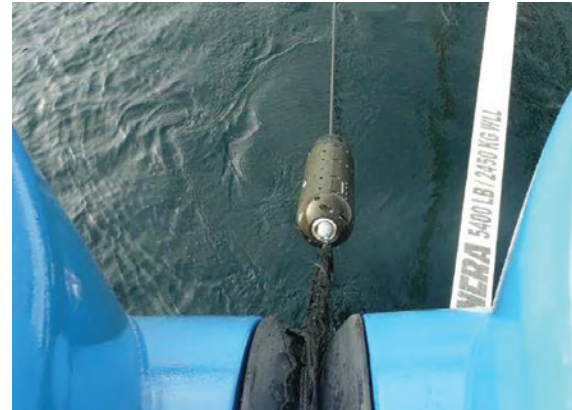
The BALL-JOINT Tow Point Adaptor is a non-rotating adaptor that reduces or eliminates bending at the cable attachment point. It extends the working life of your cable system and cuts the expense of repair and downtime.

## APPLICATIONS

- Towed systems
- Suspended systems
- Buoys
- ROVs

## FEATURES AND BENEFITS:

- Unique design makes installation on cables fast and easy. After assembly, the ball is restricted from rotation relative to the housing, but will articulate omni-directionally up to 30 degrees off axis.
- Designed for harsh undersea environments, the BALL-JOINT Tow Point Adaptor is fabricated of corrosion resistant metals such as Nitronic® 50, INCONEL® 625, aluminum nickel bronze, titanium and 316 stainless steel for compatibility with your cable system and mission.
- BALL-JOINT Tow Point Adaptors are designed for use with PMI's EVERGRIP™, DYNA-GRIP®, and FARMOR™ mechanical terminations and the EVERFLEX™ Bending Strain Relief.



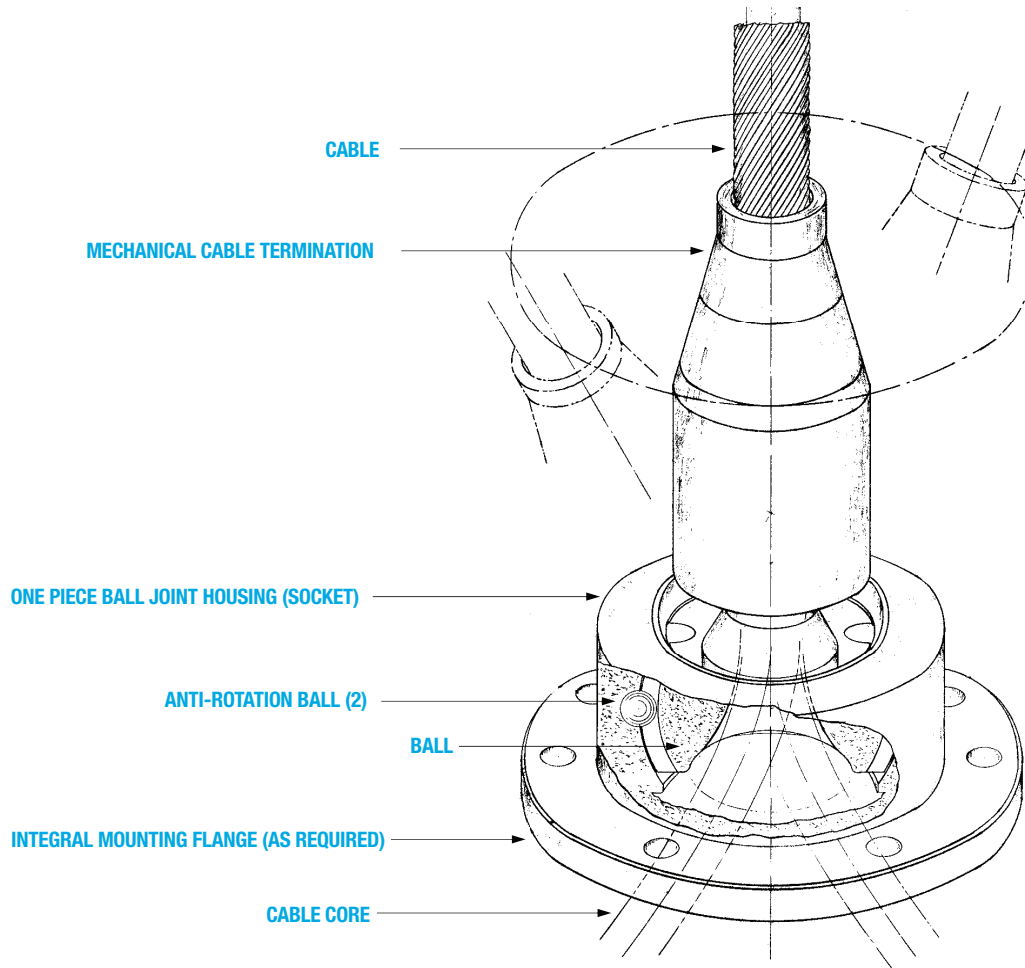
PMI BALL-JOINT Tow Point Adaptor is engineered to meet your application requirements.

## BALL-JOINT TOW POINT ADAPTORS

BALL-JOINT Tow Point Adaptors are engineered in sizes, materials, and degrees of articulation to meet your system requirements. In addition, special “breakaway” or weak link features can be incorporated.

Configuration and prices are quoted to meet your strength, off-axis load angles, and interface specifications.

Specify rope or cable diameter, construction or type, cable rated breaking strength, lay direction of outer strength members, anticipated off-axis loading, degree of articulation, any size restrictions, and mounting configuration.



### TECHNICAL SUPPORT

If you have questions or concerns about any PMI product, please contact our engineering staff directly.  
 PMI Industries, Inc. | 5300 St. Clair Avenue | Cleveland, Ohio 44103 USA | +1 (216) 881 4914 | sales@pmiind.com