

Photo courtesy of PGS

# THE NEXT GENERATION

DYNA II™ Lite

DYNA II™ Mini

Umbilical DYNA II™



## PMI designed and engineered.

PMI's DYNA-HANGER™ family of products will continue to grow and meet the requests and application requirements of our customers.

All designs are tool-free and allow for ease of installation anywhere along the cable offering unlimited attachment possibilities.

**DYNA II™ Lite** The DHSS II™ Lite will accommodate those lead-ins where a high load rating is not needed; resulting in substantial weight savings while towing.

**DYNA II™ Mini** The DHSS II™ Mini to be used in applications where a floatation rope could become entangled. The DHSS II™ Mini allows for independent height adjustment of the streamers without the need to adjust the high load bearing DYNA-HANGER II™.

**Umbilical DYNA II™** The Umbilical DYNA II™ will provide a rigid attachment point for Umbilical Float attachments – allowing the use of the Quick release methods already applied in the DYNA-HANGER II™ family.

### TECHNICAL SUPPORT

If you have questions or concerns about any PMI product, please contact our engineering staff directly.

#### PMI Industries, Inc.

5300 St. Clair Avenue

Cleveland, Ohio 44103 USA

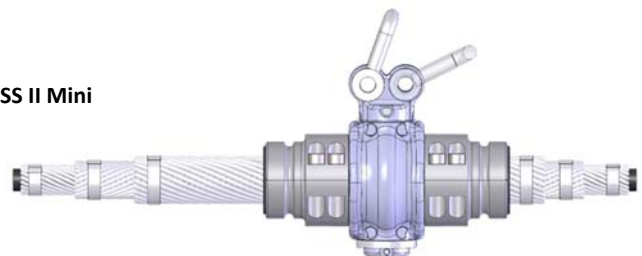
+1 216 881 4914

sales@pmiind.com

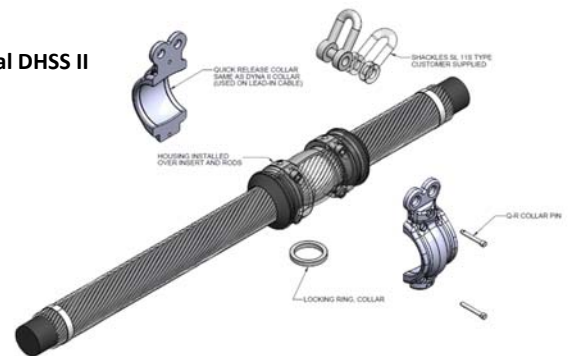
DHSS II Lite



DHSS II Mini



Umbilical DHSS II



No Tools, No Kidding.

**PMI**  
UNDERWATER CABLE SOLUTIONS